



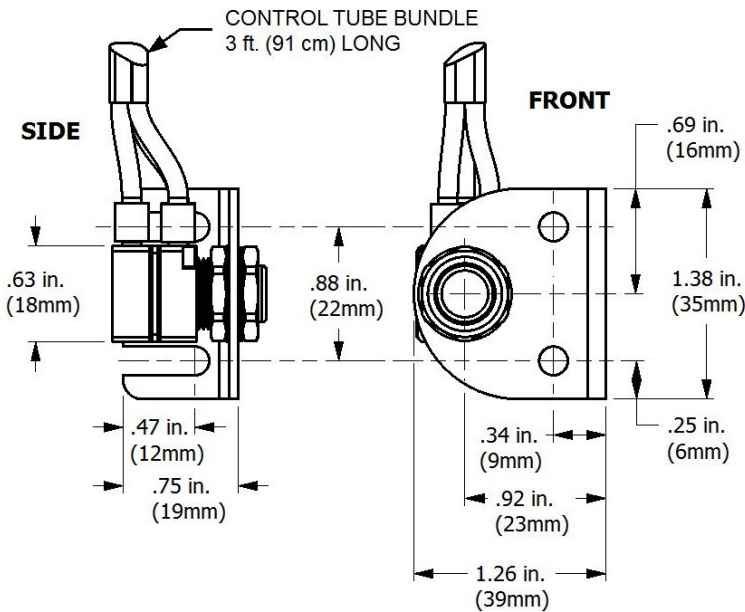
# TECHNICAL SPECS (SUBMITTAL)

PATENT NUMBERS  
U.S. 5,505,227, 6,254,057, 6,382,585  
Canadian 2,109,684  
European 0654628  
International & Other Patents Pending

## Hands Free Faucet Controllers

**applies to Models  
1710, 1720 and 1722,**

### CABINET DOOR ACTIVATED



#### SPECIFICATIONS

**Pressure:** operating - 0 to 125 psi (862 kpa) max at 140°F (60°C)  
static burst - 700 psi (4,830 kpa) at 72°F (22°C)

**Construction:** body - chrome plated brass  
seals - nylon reinforced EPDM  
bracket - 16 gauge stainless steel

**Motion:** button stroke - 0.02" (.5 mm)

**Mounting:** 15/31 – 32 UNF thread 15/32 hole

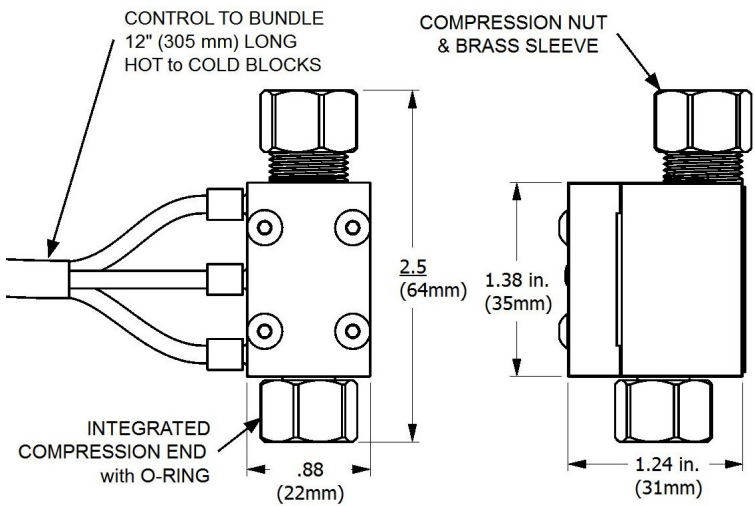
**Tube Bundle:** 3x1/8" high density polyurethane tubes with PVC sheath

**Cabinet Styles:**



### INLINE VALVE BLOCKS

Note: single valve block for model 1710



#### SPECIFICATIONS

**Pressure:** operating: 0 to 125 psi (862 kpa) max at 140°F (60°C)  
static burst: 700 psi (4,830 kpa) at 72°F (22°C)

**Flow:** hot & cold blocks: 7.2 gpm @ 60 psi (27 l/m @ 4 bar)

**Construction:** body: chrome plated brass  
seals: high temperature silicone  
filter and screening: polyethylene

**Filtration:** control circuit: 25 micron main port: greater than .060" (1.5 mm)

