



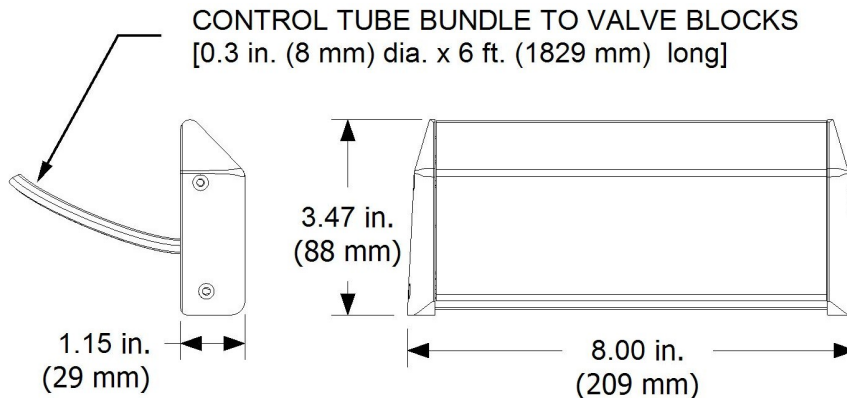
TECHNICAL SPECS (SUBMITTAL)

PATENT NUMBERS
U.S. 5,505,227, 6,254,057, 6,382,585
Canadian 2,109,684
European 0654628
International & Other Patents Pending

Hands Free Faucet Controllers

applies to Models
1740, 1742, 1750, 1751 & 1752

KICK PLATE



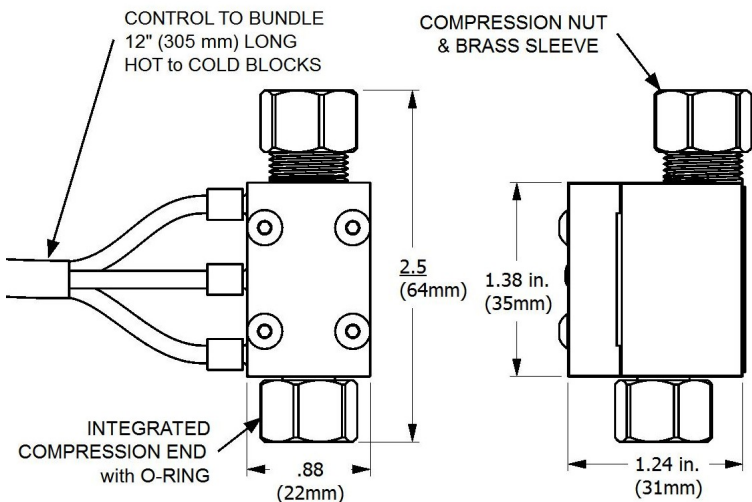
SPECIFICATIONS

- Construction:** cover - 18 gauge brushed stainless steel or powder coated black or off white
base - anodized aluminium
end caps - glass reinforced polypropylene, grey, black or off white
- Motion:** vertical face momentary - approximately 1/8" (3 mm)
angled face continuous flow - approximately 1/8" (3 mm)
- Mounting:** vertical face (cabinet toe kick) with 2 #8 screws
- Cabinet Styles:**



INLINE VALVE BLOCKS

Note: single valve block for models 1740 & 1742



SPECIFICATIONS

- Pressure:** operating: 0 to 125 psi (862 kpa)
max at 140°F (60°C)
static burst: 700 psi (4,830 kpa) at 72°F (22°C)
- Flow:** hot & cold blocks combined:
7.2 gpm @ 60 psi (27 l/m @ 4 bar)
- Construction:** body: chrome plated brass
seals: high temperature silicone
filter and screening: polyethylene
- Filtration:** control circuit: 25 micron main
port: greater than .060" (1.5 mm)

Tapmaster Incorporated
20175 Township Rd 262
Calgary, AB Canada
T3P 1A3



CSA - B125
ASME - A112.18.1
NSF - 61-9
Rev. 4.0



PH: 800-791-8117
FAX: 403-275-5928
Web: www.tapmaster.ca
E-mail: info@tapmaster.ca