



SUBMITTAL

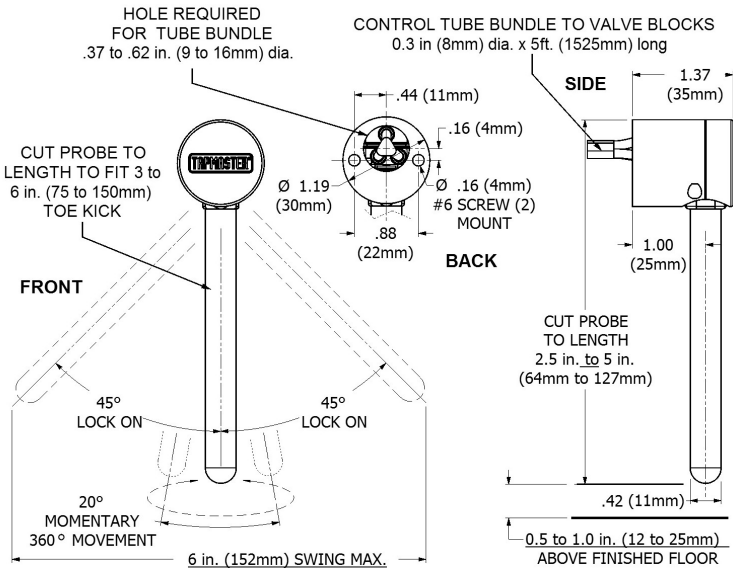
PATENT NUMBERS
 U.S. 5,505,227, 6,254,057, 6,382,585
 Canadian 2,109,684
 European 0654628
 International & Other Patents Pending

Hands Free Faucet Controllers

**applies to Models
 1770, 1771, 1775 & 1776**

EURO FOOT ACTIVATED

SPECIFICATIONS



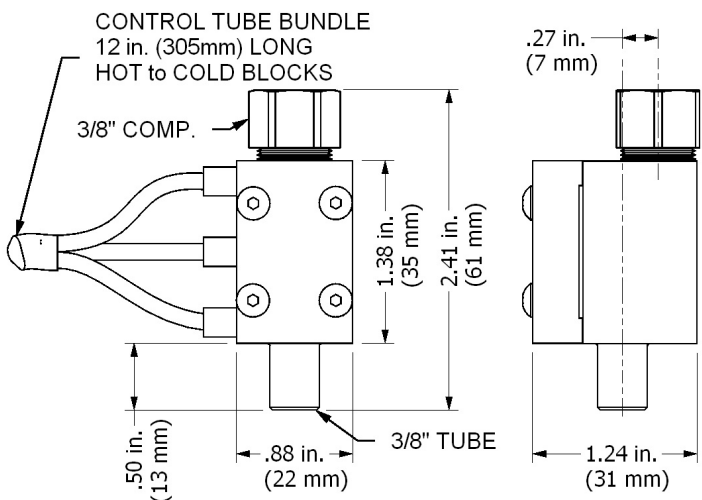
- Construction:** housing - nickel plated brass
 Mechanism – stainless steel and delrin
 foot probe - durable polyurethane
- Motion:** momentary version
 - activation in any direction
 locking version - activation in any direction plus locks sideways at 45 degrees in either direction, to turn off - return activator back to vertical rest position
- Mounting:** vertical face (i.e. - cabinet toe kick) with 2 #6 screws (supplied)
- Cabinet Styles:**



INLINE VALVE BLOCKS

Note: single valve block for models 1771 & 1776

SPECIFICATIONS



- Pressure:** operating: 0 to 100 psi (690 kpa)
 max at 140°F (60°C)
 static burst: 700 psi (4,830 kpa) at 72°F (22°C)
- Flow:** hot & cold blocks: 7.2 gpm @ 60 psi (27 l/m @ 4 bar)
- Construction:** body: chrome plated brass
 seals: high temperature silicone
 filter and screening: polyethylene
- Filtration:** control circuit: 25 micron main port: greater than .060" (1.5 mm)

Tapmaster Incorporated
 20175 Township Rd 262
 Calgary, AB Canada
 T3P 1A3



CSA - B125
 ASME - A112.18.1
 NSF - 61-9



Rev. 1.0

PH: 800-791-8117
 FAX: 403-275-5928
 Web: www.tapmaster.ca
 E-mail: info@tapmaster.ca