



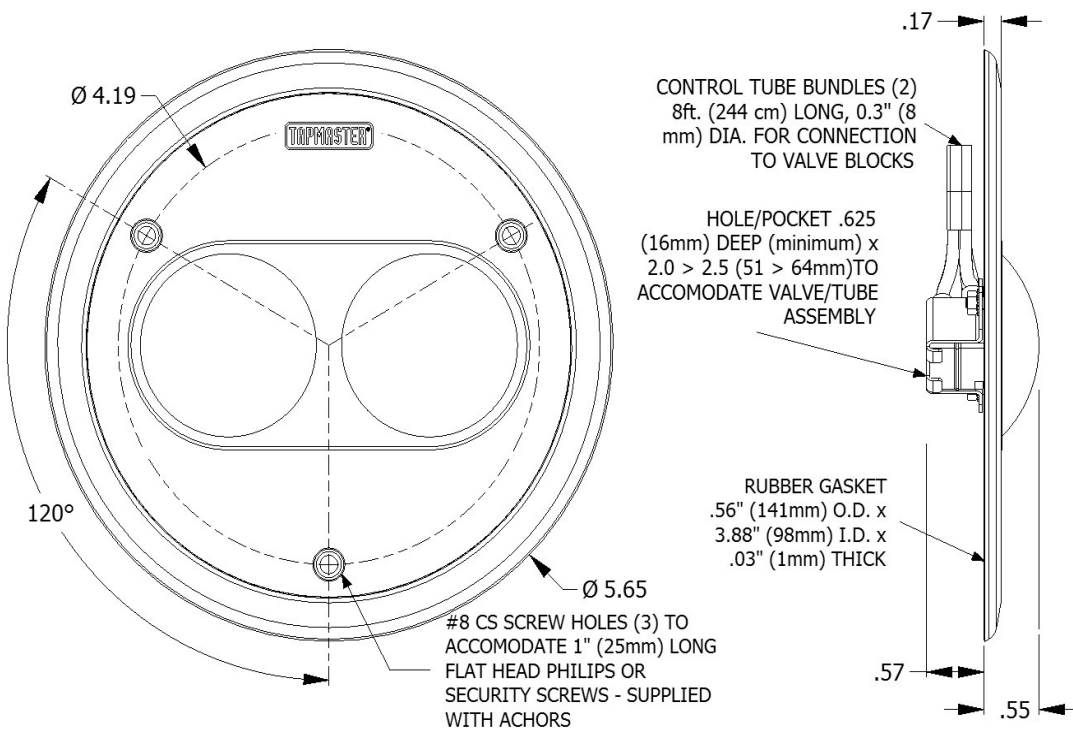
# SUBMITTAL

PATENT NUMBERS  
 U.S. 5,505,227, 6,254,057, 6,382,585  
 Canadian 2,109,684  
 European 0654628  
 International & Other Patents Pending

## Hands Free Faucet Controllers

**applies to Model 1786**

### KICK PLATE



**SPECIFICATIONS**

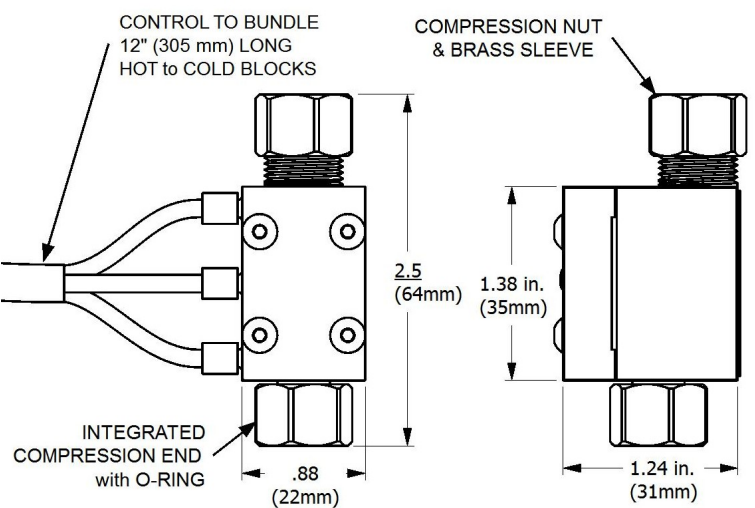
**Construction**  
 Stainless Steel, 304 grade or better, three piece laminated/bonded with electro-polished top cover. Mop rated

**Mounting**  
 Rubber gasket. Caulking is recommended. Three #8 x 1" (25mm) Stainless Steel flat-head screws - phillips or security type with plastic anchors provided.

**Activation**  
 Step on force requirement: Approximately 10lbs (4.5 Kilograms)  
 Motion: Approximately 0.03" (0.07 mm)

### INLINE VALVE BLOCKS

Note: single valve block for models 1740 & 1742



**SPECIFICATIONS**

**Pressure:** operating: 0 to 125 psi (862 kpa) max at 140°F (60°C)  
 static burst: 700 psi (4,830 kpa) at 72°F (22°C)

**Flow:** hot & cold blocks combined:  
 7.2 gpm @ 60 psi (27 l/m @ 4 bar)

**Construction:** body: chrome plated brass  
 seals: high temperature silicone  
 filter and screening: polyethylene

**Filtration:** control circuit: 25 micron  
 main port: greater than .060" (1.5 mm)

Tapmaster Incorporated  
 20175 Township Rd 262  
 Calgary, AB Canada  
 T3P 1A3



CSA - B125  
 ASME - A112.18.1  
 NSF - 61-9  
 Rev. 4.0



PH: 800-791-8117  
 FAX: 403-275-5928  
 Web: www.tapmaster.ca  
 E-mail: info@tapmaster.ca