



TECHNICAL SPECS (SUBMITTAL)

PATENT NUMBERS
 U.S. 5,505,227, 6,254,057, 6,382,585
 Canadian 2,109,684
 European 0654628
 International & Other Patents Pending

Hands Free Faucet Controllers

**applies to Models
1770, 1771, 1775 & 1776**

EURO FOOT ACTIVATED

SPECIFICATIONS

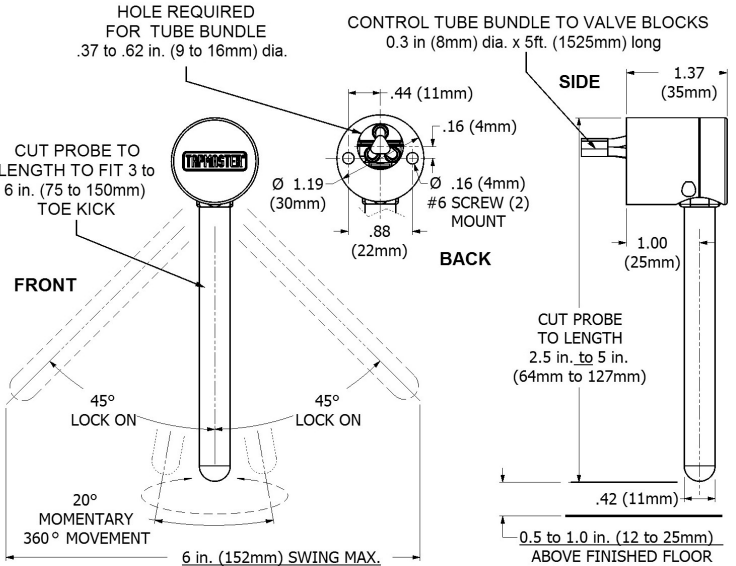
Construction: housing - nickel plated brass
 Mechanism – stainless steel and delrin
 foot probe - durable polyurethane

Motion: momentary version
 - activation in any direction

locking version - activation in any direction
 plus locks sideways at 45 degrees in either
 direction, to turn off - return activator
 back to vertical rest position

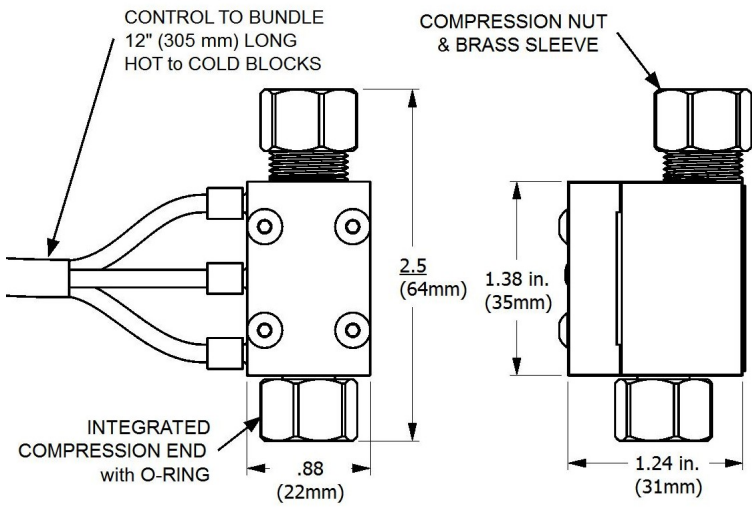
Mounting: vertical face (i.e. - cabinet toe kick) with 2
 #6 screws (supplied)

Cabinet Styles:



INLINE VALVE BLOCKS

Note: single valve block for models 1771 & 1776



SPECIFICATIONS

Pressure: operating: 0 to 125 psi (862 kpa)
 max at 140°F (60°C)
 static burst: 700 psi (4,830 kpa) at
 72°F (22°C)

Flow: hot & cold blocks: 7.2 gpm @ 60 psi
 (27 l/m @ 4 bar)

Construction: body: chrome plated brass
 seals: high temperature silicone
 filter and screening: polyethylene

Filtration: control circuit: 25 micron main
 port: greater than .060" (1.5 mm)

Tapmaster Incorporated
 20175 Township Rd 262
 Calgary, AB Canada
 T3P 1A3



CSA - B125
 ASME - A112.18.1
 NSF - 61-9
 Rev. 1.0



PH: 800-791-8117
 FAX: 403-275-5928
 Web: www.tapmaster.ca
 E-mail: info@tapmaster.ca