



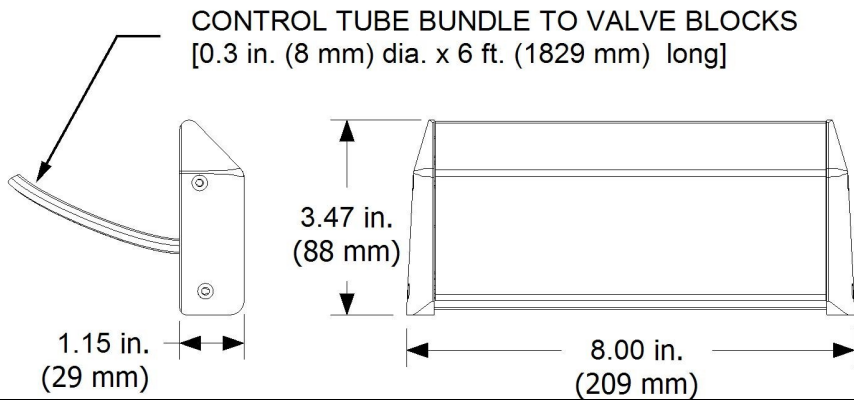
TECHNICAL SPECS (SUBMITTAL)

PATENT NUMBERS
U.S. 5,505,227, 6,254,057, 6,382,585
Canadian 2,109,684
European 0654628
International & Other Patents Pending

Hands Free Faucet Controllers

**Applies to Models
1750, 1751, 1752, & 1758**

KICK PLATE



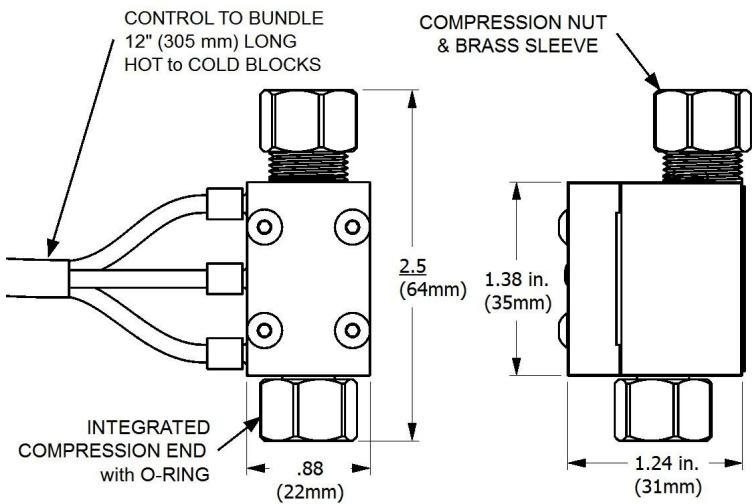
SPECIFICATIONS

- Construction: cover - 18 gauge brushed stainless steel or powder coated black or off white
base - anodized aluminium
end caps - glass reinforced polypropylene, grey, black or off white
- Motion: vertical face momentary - approximately 1/8" (3 mm)
angled face continuous flow - approximately 1/8" (3 mm)
- Mounting: vertical face (cabinet toe kick) with 2 #8 screws
- Cabinet Styles:



INLINE VALVE BLOCKS

Note: single valve block for models 1740 & 1742



SPECIFICATIONS

- Pressure: operating: 0 to 125 psi (862 kpa)
max at 140°F (60°C)
static burst: 700 psi (4,830 kpa) at 72°F (22°C)
- Flow: hot & cold blocks combined:
7.2 gpm @ 60 psi (27 l/m @ 4 bar)
- Construction: body: chrome plated brass
seals: high temperature silicone
filter and screening: polyethylene
- Filtration: control circuit: 25 micron main
port: greater than .060" (1.5 mm)

Tapmaster Incorporated
3-1470 28th Street NE
Calgary, AB Canada
T2A 7W6



CSA-B125.1-18
ASME A112.18.1-2018
NFS/ANSI 61-2016
NFS/ANSI 372-2016



PH: 800-791-8117
FAX: 403-275-5928
Web: www.tapmaster.ca
E-mail: info@tapmaster.ca