



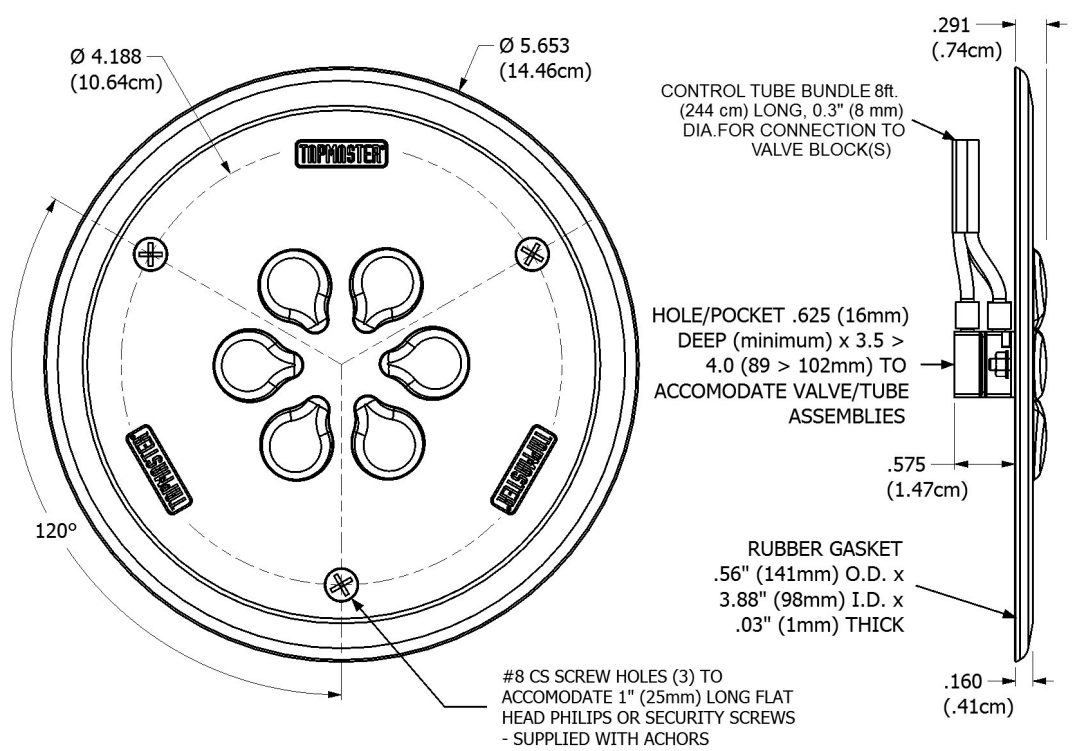
# TECHNICAL SPECS (SUBMITTAL)

PATENT NUMBERS  
U.S. 5,505,227, 6,254,057, 6,382,585  
Canadian 2,109,684  
European 0654628  
International & Other Patents Pending

## Hands Free Faucet Controllers

**applies to Models  
1780, 1781, 1782 & 1784**

### FLOOR ACTIVATOR DISC



**SPECIFICATIONS**

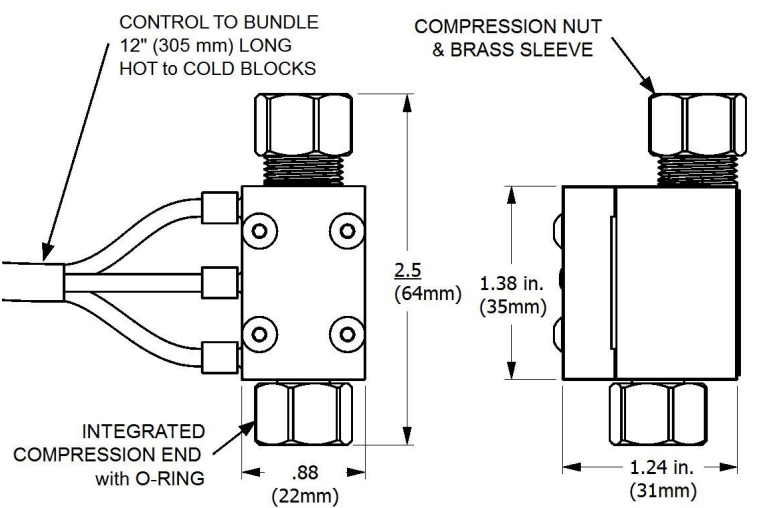
**Construction**  
Stainless Steel, 304 grade or better, three piece laminated/bonded with electro-polished top cover. Mop rated

**Mounting**  
Rubber gasket. Caulking is recommended. Three #8 x 1" (25mm) Stainless Steel flat-head screws - phillips or security type with plastic anchors provided.

**Activation**  
Step on force requirement: Approximately 10lbs (4.5 Kilograms)  
Motion: Approximately 0.03" (0.07 mm)

### INLINE VALVE BLOCKS

Note: single valve block for models 1740 & 1742



**SPECIFICATIONS**

Pressure: operating: 0 to 125 psi (862 kpa) max at 140°F (60°C)  
static burst: 700 psi (4,830 kpa) at 72°F (22°C)

Flow: hot & cold blocks combined: 7.2 gpm @ 60 psi (27 l/m @ 4 bar)

Construction: body: chrome plated brass  
seals: high temperature silicone  
filter and screening: polyethylene

Filtration: control circuit: 25 micron  
main port: greater than .060" (1.5 mm)

Tapmaster Incorporated  
3-1470 28th Street NE  
Calgary, AB Canada  
T2A 7W6



CSA-B125.1-18  
ASME A112.18.1-2018  
NFS/ANSI 61-2016  
NFS/ANSI 372-2016  
Rev. 4.0



PH: 800-791-8117  
FAX: 403-275-5928  
Web: www.tapmaster.ca  
E-mail: info@tapmaster.ca